

1/4" UNIVERSAL JOINT | E117360

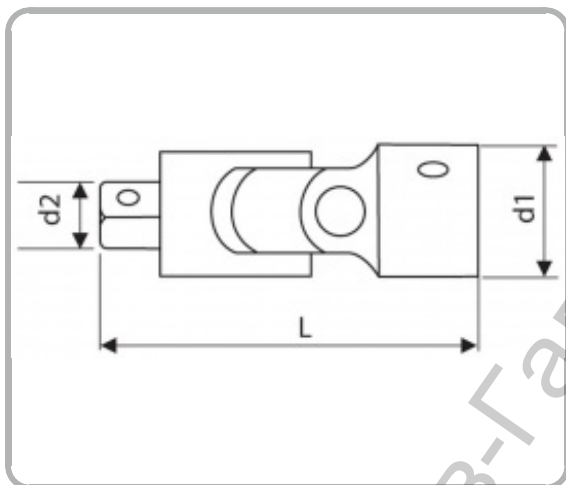


Description

- ISO 3316 - DIN 3123 - ISO 1174-1
- Chrome vanadium steel.
- High Chrome finish.
- For manual use.

Information

EAN	3258951173602
d1 [mm]	14
d2 [mm]	8.51
L [mm]	25,20
Conditioning	10
[g]	22



Ташев-Галвинг ООД
www.tashev-galving.com